

Arch formwork

Alignment of the arch formwork

1. Fasten the premounted undercarriage to the tripod.

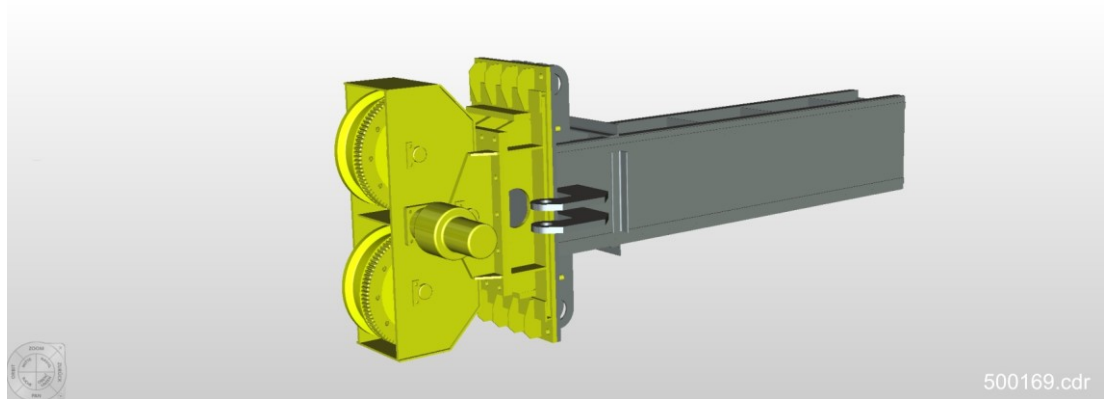


Fig. 15 Undercarriage and tripod

3. Insert the tripod into the support.

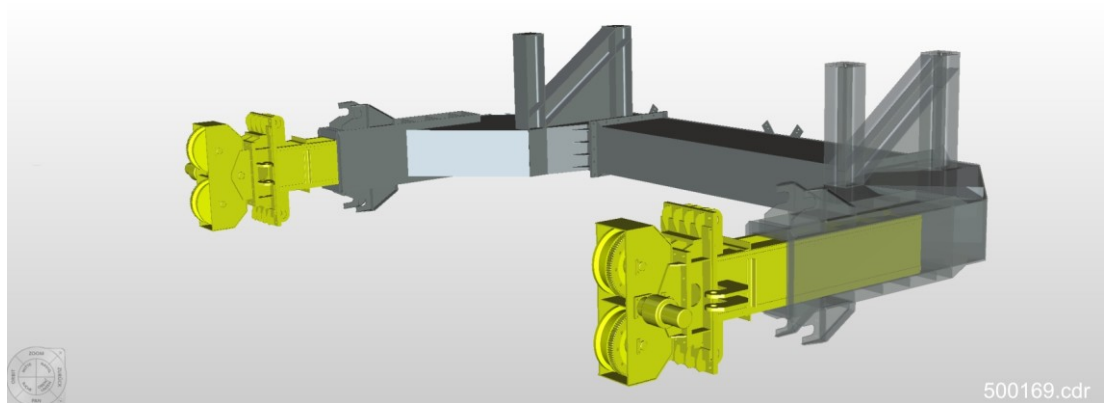


Fig. 16 Inserting the tripod

7. Mount hydraulic cylinder for height adjustment.

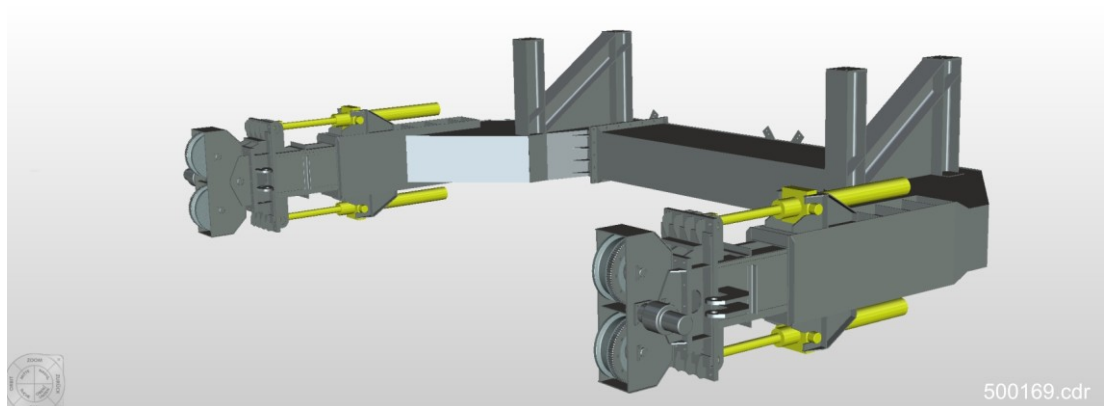


Fig. 17 Hydraulic cylinder mounted.

8. Repeat the procedur until all 4 undercarriages are mounted.